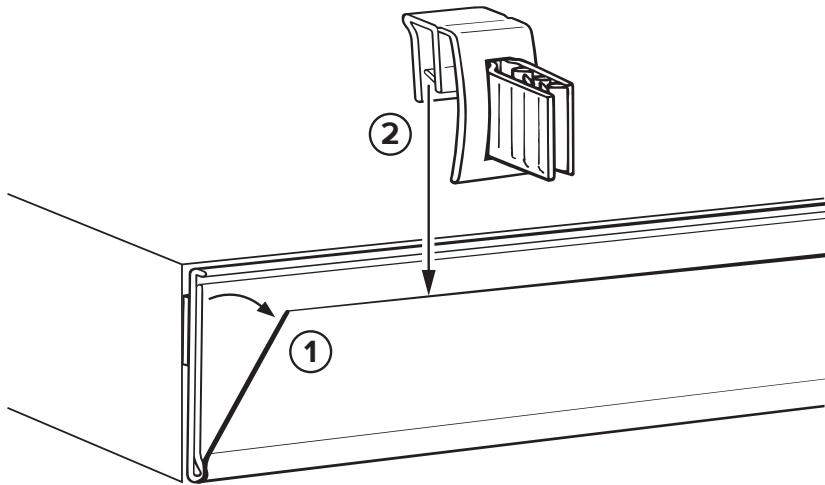


# Data Strip® SuperGrip® Universal Flag Sign Holder DGS4

## Installation Instructions

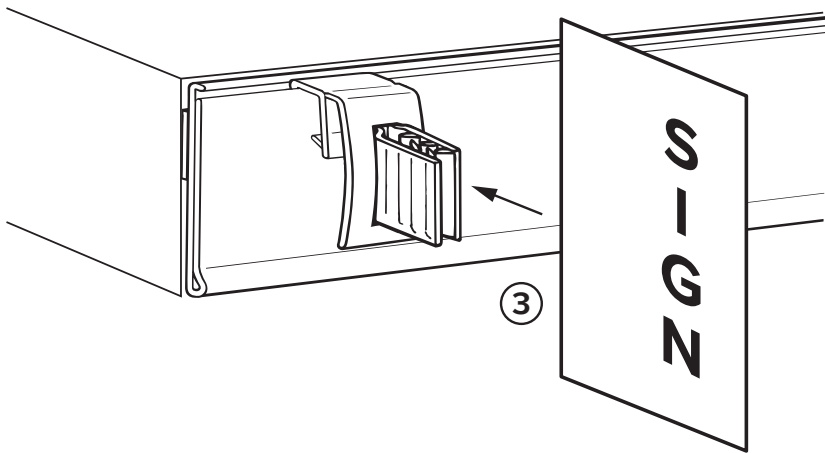


①

Open window of Data Strip® Label Holder.

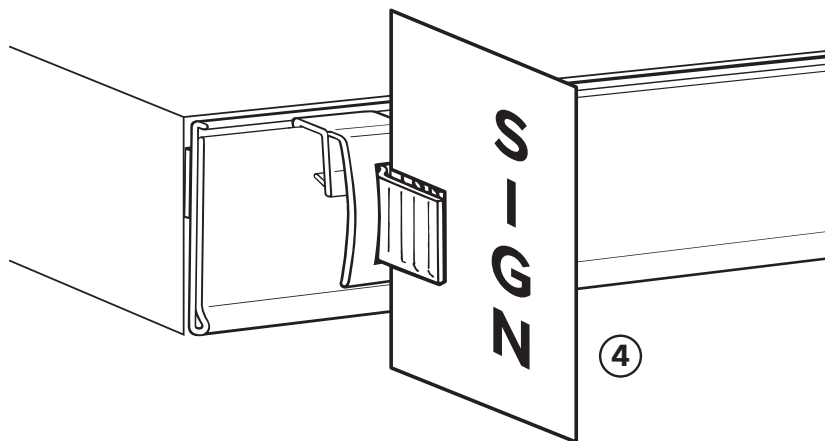
②

Insert back of sign holder down onto window.



③

Insert flag sign into grippers.



④

Installation is complete.

20190410